



TYPHOON INTAKE SYSTEMS

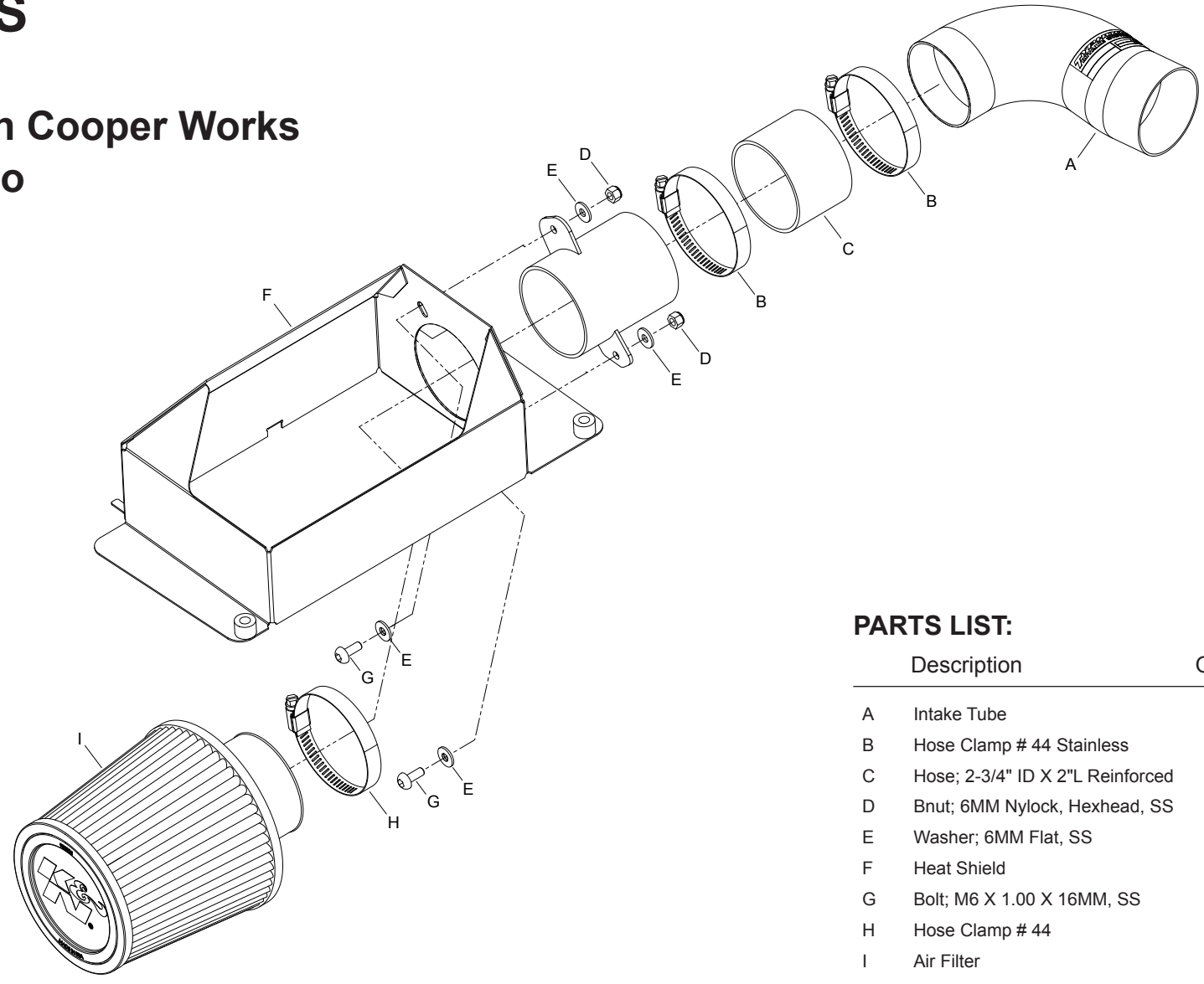
NOT LEGAL FOR SALE OR USE ON ANY POLLUTION CONTROLLED MOTOR VEHICLE IN CALIFORNIA OR STATES ADOPTING CALIFORNIA EMISSION PROCEDURES.
See knfilters.com for CARB status on each part for a specific vehicle

INSTALLATION INSTRUCTIONS

69-2025TS
MINI
2011-14 John Cooper Works
L4-1.6L Turbo

TOOLS NEEDED:

- Ratchet
- Extension
- 13mm socket
- 10mm socket
- flat blade screw driver
- T30 TORX
- T25 TORX
- 4mm allen key



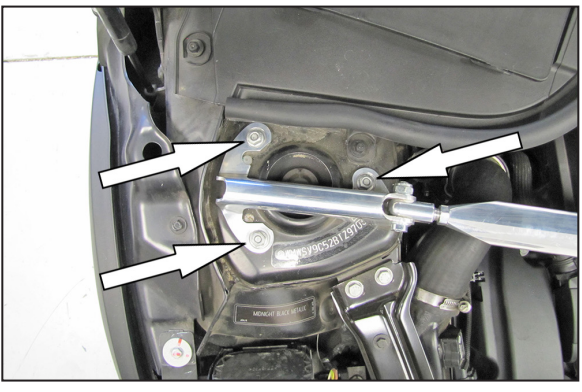
PARTS LIST:

Description	Qty.	Part #
A Intake Tube	1	27595TS
B Hose Clamp # 44 Stainless	2	08560
C Hose; 2-3/4" ID X 2"L Reinforced	1	08440
D Bnut; 6MM Nylock, Hexhead, SS	2	07512
E Washer; 6MM Flat, SS	4	08269
F Heat Shield	1	073149
G Bolt; M6 X 1.00 X 16MM, SS	2	07730
H Hose Clamp # 44	1	08577
I Air Filter	1	RU-4960

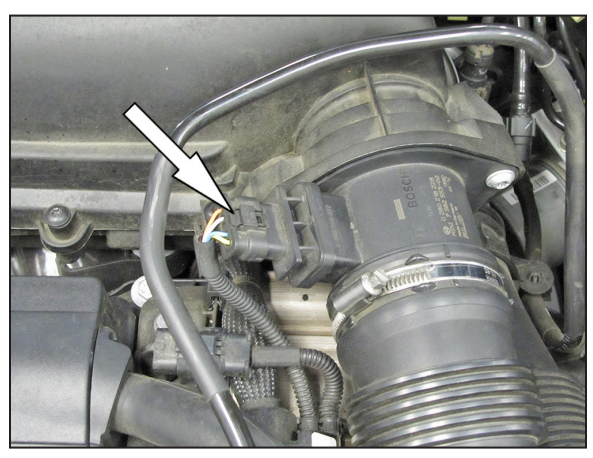
NOTE: FAILURE TO FOLLOW INSTALLATION INSTRUCTIONS AND NOT USING THE PROVIDED HARDWARE MAY DAMAGE THE INTAKE TUBE, THROTTLE BODY AND ENGINE.

TO START:

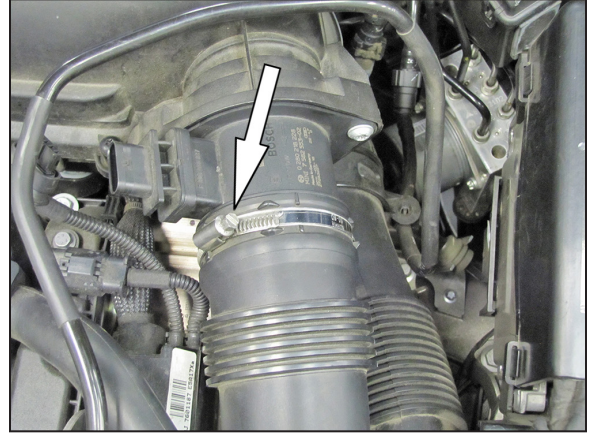
1. Turn off the ignition and disconnect the negative battery cable.
NOTE: Disconnecting the negative battery cable erases pre-programmed electronic memories. Write down all memory settings before disconnecting the negative battery cable. Some radios will require an anti-theft code to be entered after the battery is reconnected. The anti-theft code is typically supplied with your owner's manual. In the event your vehicles anti-theft code cannot be recovered, contact an authorized dealership to obtain your vehicles anti-theft code.



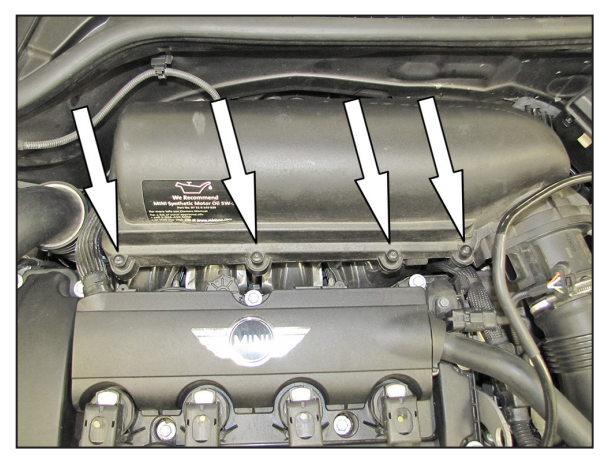
2. Remove the six nuts that secure the strut tower brace to the vehicle struts and then remove the strut tower brace from the vehicle.



3. Disconnect the mass air sensor electrical connection.



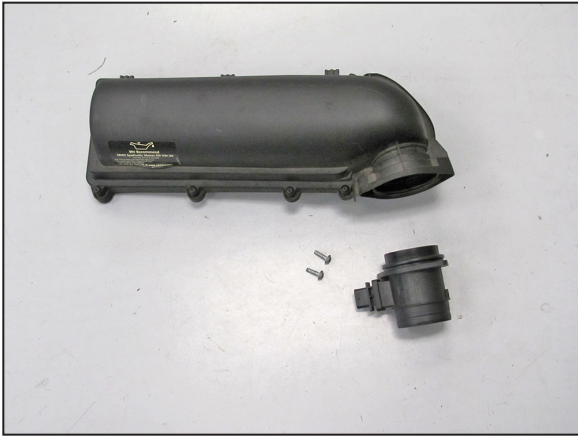
4. Loosen the hose clamp that secures the factory intake hose to the mass air sensor housing.



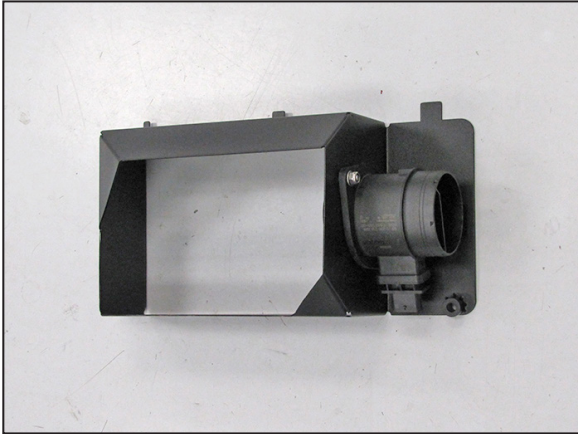
5. Loosen the four screws securing the upper air box housing to the lower housing.



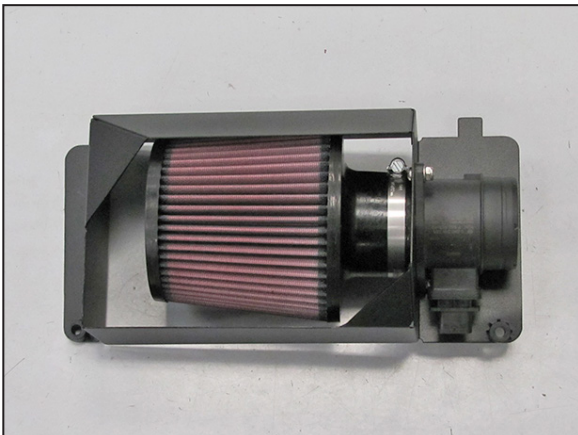
6. Disconnect the intake hose and then remove the upper air box housing assembly and air filter from the vehicle.
NOTE: K&N Engineering, Inc., recommends that customers do not discard factory air intake.



7. Remove the two screws securing the mass air sensor housing to the air filter housing and then remove the mass air sensor as shown.



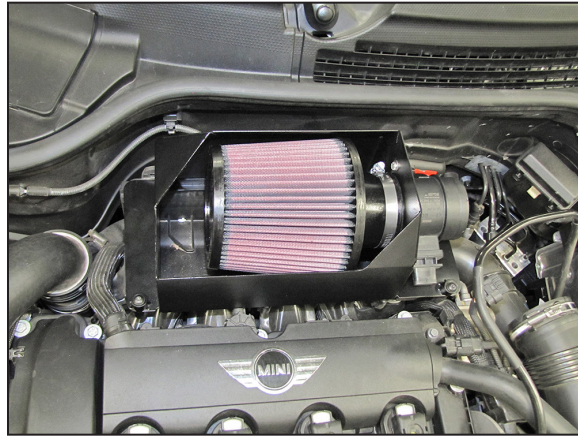
8. Remove the O-ring from the mass air sensor and then secure the mass air sensor to the provided heat shield using the hardware provided.



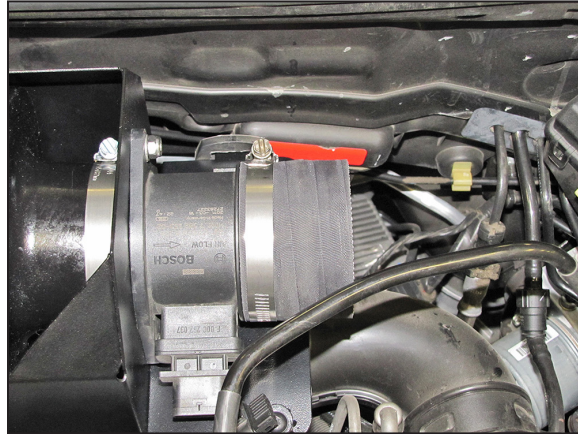
9. Install the K&N® air filter onto the mass air sensor and secure with the provided hose clamp.



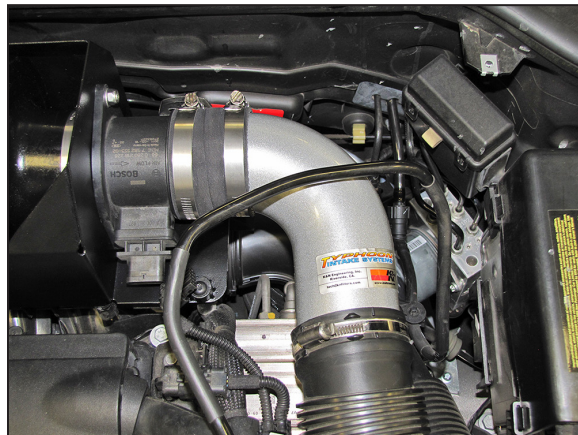
10. Remove two of the factory air filter housing screws from the upper air box.



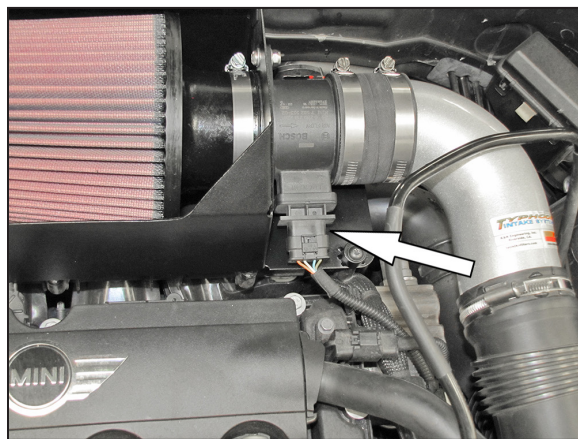
11. Install the K&N® heat shield assembly and secure with the two factory air box screws from the previous step.



12. Install the provided hose (08440) onto the mass air sensor and secure with the provided hose clamp.



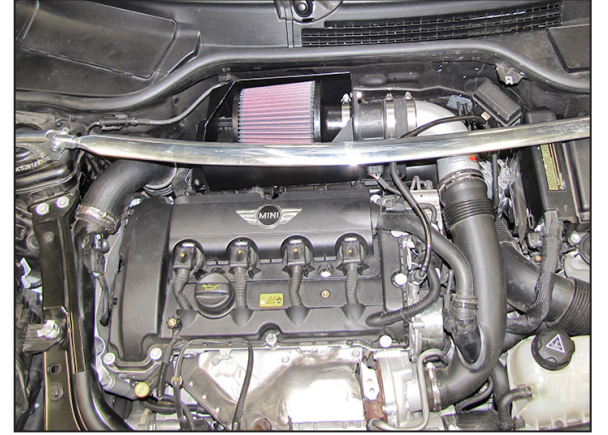
13. Install the K&N® intake tube into the factory intake hose and then into the hose at the mass air sensor. Secure the intake tube with the factory and provided hose clamp.



14. Reconnect the mass air sensor electrical connection.



15. Reinstall the strut tower brace and secure with the factory hardware.



16. Reconnect the vehicle's negative battery cable. Double check to make sure everything is tight and properly positioned before starting the vehicle.

17. It will be necessary for all K&N® high flow intake systems to be checked periodically for realignment, clearance and tightening of all connections. Failure to follow the above instructions or proper maintenance may void warranty.

ROAD TESTING:

1. Start the engine with the transmission in neutral or park, and the parking brake engaged. Listen for air leaks or odd noises. For air leaks secure hoses and connections. For odd noises, find cause and repair before proceeding. This kit will function identically to the factory system except for being louder and much more responsive.

2. Test drive the vehicle. Listen for odd noises or rattles and fix as necessary.

3. If road test is fine, you can now enjoy the added power and performance from your kit.

4. K&N Engineering, Inc., requires cleaning the intake system's air filter element every 100,000 miles. When used in dusty or off-road environments, our filters will require cleaning more often. We recommend that you visually inspect your filter once every 25,000 miles to determine if the screen is still visible. When the screen is no longer visible some place on the filter element, it is time to clean it. To clean and re-oil, purchase our filter Recharger® service kit, part number 99-5050 or 99-5000 and follow the easy instructions.

NOT LEGAL FOR SALE OR USE ON ANY POLLUTION CONTROLLED MOTOR VEHICLE IN CALIFORNIA OR STATES ADOPTING CALIFORNIA EMISSION PROCEDURES.

See knfilters.com for CARB status on each part for a specific vehicle